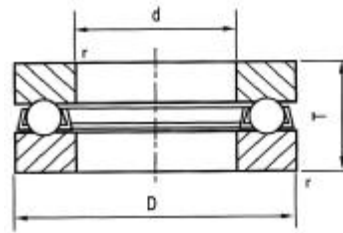
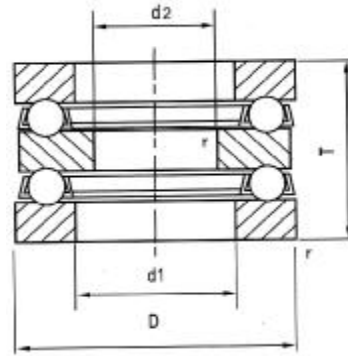


# THRUST BALL/ROLLER BEARINGS

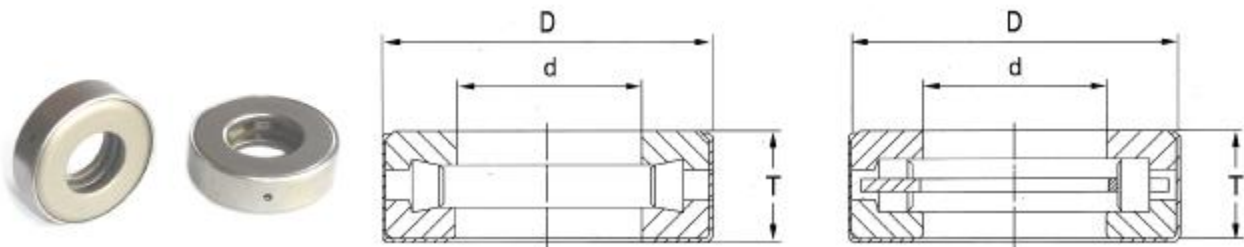


Bearing Number	Bore		Outer Diameter (mm)	Width(H) mm	Basic Load Rating(KN)		Weight (Kg)
	d (mm)	d2(mm)			Dynamic(Ca)	Static(Coa)	
51100	10	11	24	9	10	14	0.019
51101	12	13	26	9	10.2	15.2	0.021
51102	15	16	28	9	10.5	16.8	0.024
51103	17	18	30	9	10.8	18.2	0.025
51104	20	21	35	10	14.2	24.5	0.038
51105	25	26	42	11	15.2	30.2	0.056
51106	30	32	47	11	16	34.2	0.066
51107	35	37	52	12	18.2	41.5	0.083
51108	40	42	60	13	26.8	62.8	0.12
51109	45	47	65	14	27	66	0.15
51110	50	52	70	14	27.2	69.2	0.16
51111	55	57	78	16	33.8	89.2	0.24
51112	60	62	85	17	40.2	108	0.29
51200	10	12	26	11	12.5	17	0.029
51201	12	14	28	11	13.2	19	0.032
51202	15	17	32	12	16.5	24.8	0.044
51203	17	19	35	12	17	27.2	0.051
51204	20	22	40	14	22.2	37.5	0.073
51205	25	27	47	15	27.8	50.5	0.109
51206	30	32	52	16	28	54.2	0.138
51207	35	37	62	18	39.2	78.2	0.22
51208	40	42	68	19	47	98.2	0.27
51209	45	47	73	20	47.8	105	0.32
51210	50	52	78	22	48.5	112	0.39
51305	25	27	52	18	35.5	61.5	0.171
51306	30	32	60	21	42.8	78.5	0.265
51307	35	37	68	24	55.2	105	0.378
51308	40	42	78	26	69.2	135	0.55
51309	45	47	85	28	75.8	150	0.69
51310	50	52	95	31	96.5	202	1.00

# THRUST BALL/ROLLER BEARINGS

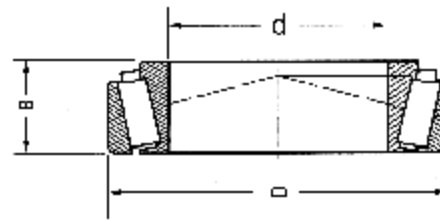


Bearing Number	Bore		OD(D) (mm)	Width(H) mm	Basic Load Rating(KN)		Weight (Kg)
	d1 (mm)	d2(mm)			Dynamic(Ca)	Static(Coa)	
52204	22	15	40	26	22.2	37.5	0.144
52205	27	20	47	28	27.8	50.5	0.23
52206	32	25	52	29	28	54.2	0.26
52207	37	30	62	34	39.2	78.2	0.405
52208	42	30	68	36	47	98.2	0.54
52209	47	35	73	37	47.8	105	0.64
52210	52	40	78	39	48.5	112	0.71
52211	57	45	90	45	67.5	158	1.12
52212	62	50	95	46	74.8	188	1.15
52213	67	55	100	47	73.5	188	1.36
52214	72	55	105	47	74.8	198	1.52
52215	77	60	110	47	83.8	222	1.60

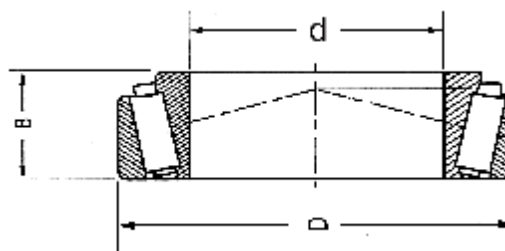


## THRUST ROLLER BEARINGS (NON-STANDARD)

Bearing Number	Bore(d) mm	OD(D) mm	Height(T) mm	Bearing Bumber	Bore(d) mm	OD(D) mm	Height(T) mm
T88W	22.48	48.02	15.09	T-19			
T101	25.80	50.80	16.10	T-20			
T163W				T-22			
T251	63.75	111.12	26.98	T-23			
T302W	76.45	133.35	34.93	25TAG12			



Bearing Number	Size(mm) d x D x B	Weight (Kg)	Bearing Number	Size(mm) d x D x B	Weight (Kg)
30202	15x35x11.75	0.05	32204	20x47x19.25	0.157
30203	17x40x13.5	0.074	32205	25x52x19.25	0.174
30204	20x47x15.25	0.12	32206	30x62x21.25	0.273
30205	25x52x16.25	0.15	32207	35x72x24.25	0.426
30206	30x62x17.25	0.232	32208	40x80x24.75	0.530
30207	35x72x18.25	0.32	32209	45x85x24.75	0.607
30208	40x80x19.75	0.42	32210	50x90x24.75	0.648
30209	45x85x21.75	0.474	32211	55x100x26.75	0.853
30210	50x90x21.75	0.54			
30211	55x100x22.75	0.709	32303	17x47x20.25	0.073
30212	60x110x23.75	0.88	32304	20x52x22.25	0.230
			32305	25x62x25.25	0.366
30302	15x42x14.25	0.095	32306	30x72x28.75	0.550
30303	17x47x15.25	0.13	32307	35x80x32.75	0.730
30304	20x52x16.25	0.17	32308	40x90x35.25	1.10
30305	25x62x18.28	0.26	32309	45x100x38.25	1.46
30306	30x72x20.75	0.393	32310	50x110x42.25	1.89
30307	35x80x22.75	0.53			
30308	40x90x25.25	0.76	320/22	22x44x15	0.103
30309	45x100x27.25	1.01	320/32	32x58x17	0.187
30310	50x110x29.25	1.32	320/28	28x52x16	0.15
32004	20x42x15	0.097	30303D	15X47X15.25	0.15
32005	25x47x15	0.11	30308D	40X90X25.25	0.742
32006	30x55x17	0.17	31306J	30X72X20.75	0.392
32007	35x62x18	0.22	31311	55x120x31.50	1.56
32008	40x68x19	0.287			
32009	45x75x20	0.34	7805E	25X52X21.1	0.184
32010	50x80x20	0.37	28KW02G	28X52X15.8	0.147
32011	55x90x23	0.551	32KW02	32X65X18.25	0.259



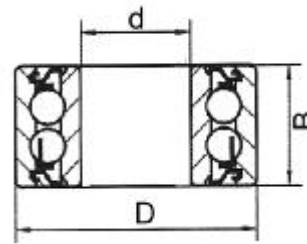
Bearing Number	Size(mm) d x D x B	Weight (Kg)	Bearing Number	Size(mm) d x D x B	Weight (Kg)
LM11749/10	17.462X39.878X13.843	0.126	15123/15245	31.75X62X18.161	0.246
LM12749/10	21.986X45.237X15.494	0.116	15126/15245	31.75X62X19.05	0.257
LM102949/10	45.242X73.431X19.588	0.307	25590/20	45.618X82.931X23.812	0.535
LM67048/10	31.75X59.131X15.875	0.176	25580/20	44.45X82.931X23.812	0.552
LM104949/11	50.8X82.55X21.59	0.45	1280/1220	22.225X57.15X22.225	0.285
LM11949/10	19.05X45.237X15.496	0.125	TR0305A	17X47X15.25	0.15
LM102949/10	45.242X73.431X19.558	0.288	TR0506R	25X62X18.25	0.258
LM501349/10	41.275X73.431X19.558	0.335	TR0607J-1-N	30X72X24	0.456
LM48548/10	34.925X65.088X18.034	0.246	TRA0607	30X72X20.5	0.363
LM501349/14	41.275X73.431X21.43	0.35	TR0608A	32X75X29.75	0.617
JLM104948/10	50X82X21.5	0.43	TR070904	35X89X38.2	1.18
JL69349/10	38X63X17	0.198	TR100802	50X83X20.7	0.408
L45449/10	29X50.292X14.224	0.105	TR070803	35X80X29.5	0.704
L68149/10	34.988X59.131X15.875	0.167	U298/U261L	35X65X18	0.251
L68149/11	34.988X59.974X15.875	0.174	U399/360L	39.698X73.04X18.778	0.362
L44643/10	26.988X50.292X14.224	0.125	U399A/U365L	39.688X80X20.218	0.467
L44649/10	25.4X50.292X14.224	0.117	U497/U460L	45X80X23.75	0.462
M86649/10	30.162X64.292X21.433	0.339	SK6-7805	26X57.15X17.5	0.216
M88048/10	33.338X68.262X22.225	0.382	ST4090	40X90X25	0.693
M84548/10	25.4X57.15X19.431	0.245	4T-365/362	50X90X20	0.52
M12649/10	21.43X50.005X17.526	0.167	TF38KW	38.1X65.088X18.034	0.239
HM89449/10	36.512X76.2X29.37	0.637	R32-10	32X65X32	0.38
HM88649/10	34.925X72.233X25.4	0.495	S3384/S3320	41.275X80.167X29.37	0.687
HM803149/12	44.45X92.075X30.162	0.90	34W/51W	34X51X12	0.773
11590/20	15.875X42.862X14.288	0.101	50KW/3720	50X93.264X30.162	0.877
18590/20	41.275X73.025X16.667	0.285	R25-90x41Z	25X52X21	0.176
39581/20	57.15X112.712X30.162	1.38			
3490/20	38.1X79.375X29.37	0.663			
02474/20	28.575X68.262X22.225	0.399			

# CLUTCH RELEASE BEARINGS



Boundary Dimensions	KOYO Number	NSK Number	NTN Number	NACHI Number	OEM Number	Car Type
67X38.1X16.4	RCT38SL1	24TK308B	SF0816	BC12S4	9-0095-040-1	ISUZU
57X35X14	CT35S	35TMK29B		35TRK-1	90043-63002	MITSUBISHI
63.5X40X16	RCT4064SL1	TK40-14AU3	SF0815	40TRK39-4SB	90363-40003	TOYOTA
67X40X19.8	RCT4067A2RS	40TKD07	SF0859	40TRBC07-27SB	90363-40022	TOYOTA
70X40X18.5	RCT40	TK40-16AU3	SF0845	40TRK30W2SB		TOYOTA
66.6X37X20.7		48TKA3214		RCT37SA7		ISUZU
51.1X28.2X16	28TAG12	28TAG12	28TAG12	28TAG12		
65.5X33X24.5	RCT338SA1	50TKE3301				
74X45X18	RCT45-1S	TK40-4B	SF0914			
74.5X45X19	RCT4075-1S	TK40-4A	SF0820	40TRK1	30502-21000	NISSAN
60X33X17	RCT3360A	33TKD03	SF0743	BC7S1W2SB	90363-33002	TOYOTA
87.5X55X19.5	CT55BL1	TK55-1A1U3	55TMK804X	55TMK804		ISUZU
116.5X70X27	CT70B	TK70-1A	SF1412	70TNK-1	0345221003	MITSUBISHI
73.5X45X16	CT45-1S	TK45-4	45TMK804X	40TNK804	90363-40009	NISSAN/MAZDA
96.5X52.4X20	CT52A-1	TK52Z-1BA	52TMK804	BC11S3		
101.8X65X22	65TNK20	65TNK20	65TNK20	65TNK20		NISSAN
89X60X22	60TNK20	60TNK20	60TNK20	60TNK20		MITSUBISHI
77X45X19	45TNK20	45TNK20	45TNK20	45TNK20		
92X52.4X26.2				052TRBC09-7		TOYOTA
74X45X18	RCT45-1S	45TKD02	SF0914	45TMK-1	0222-16-222/MD702241	MAZDA/MITSUBISHI
60X33X15	RCT3360L1	TK33-1U3	SF0724/2E	BC7S1SB	90363-33001	TOYOTA
83X39.8X23.5	RCT401SA	54TKA3501				
66.5X38.4X30		50TKA3805				
70X35.5X40.5		50SCRN40			31230-35070	TOYOTA
70X35.5X44.5		50TKB3504BR			31230-35090	TOYOTA
62.5X33.3X31			50TKB3301BR	50SCRN31P	31230-12170	TOYOTA
57X28.2X33	RCT282SA	44TKB2805				
65X33.2X40	RCT331SA		FCR50-10/2E			
65X31.1X34.5	RCT31SA	55TKA3102	X10-FCR55-5/2E		22810-PL8-921	HONDA
70X31.8X33.2	RCT322SA	48TKA3201	FCR45-11/2E	48SCRN32K	MD706180	MITSUBISHI

# A/C COMPRESSOR BEARINGS

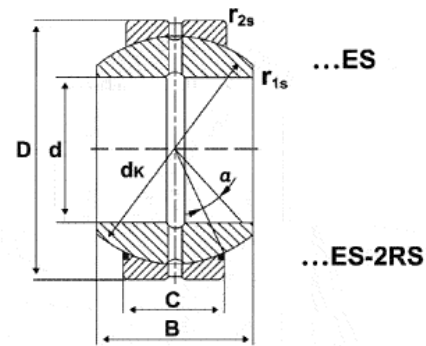


Bearing Number	Boundary Dimensions (mm)			Weight (Kg)	Applications
	d	D	B		
35DB219V	35	55	20	0.16	TOYOTA
40BD219DU	40	62	24	0.24	MAZDA
32BD4718DUK	32	47	18	0.085	AUTO
35BD5020DU	35	50	20	0.10	MITSUBISHI
30BD5222DU	30	52	22	0.14	HONDA
30BG04S13	30	47	22	0.10	
38BG05S2G-2DS	38	54	17	0.10	SUZUKI
40BD49V	40	62	20.6	0.19	GM
40BGS12G	40	62	20.6/24	0.20	
DF0882LB	40	57	24	0.15	SANTANA
30BD219V	30	55	23	0.19	FORD
32BG05S1	32	55	23	0.18	CHINA XIALI
30BGS10G-2DST	30	52	20	0.13	
2TS2-DF0676LH	32	52	18×20	0.12	BENZ

# OSCILLATING ROD END BEARINGS



Type	Bearing Number	Boundary Dimensions (mm)			
		d	L	H	a
With a ball on outer race end	SBQ08A	8	57.5	26	16
Geared inner race	SBQ10	10	57.5	41.5	15.5
Compound bearing	SBQ18A	18	59	33	18
	SBQ18B	18	59	33	16
Grooved inner race	SBQ11	11	50.5	24	14
	SBQ8B	8	58	29	14.5



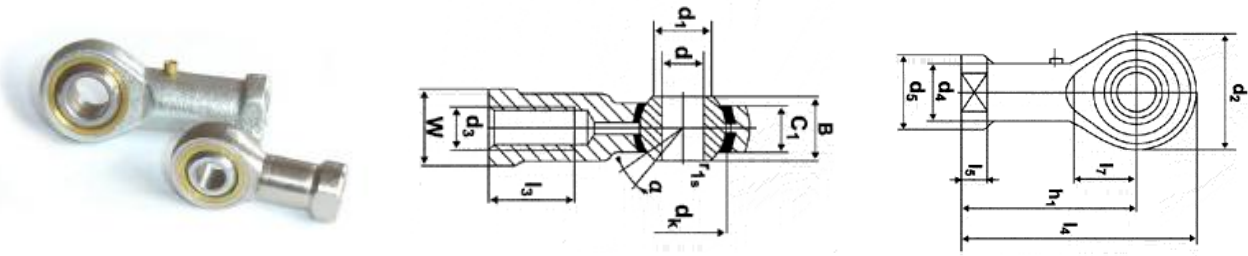
Bearing Number	Dimensions (mm)								a ≈	Basic Load Rating(KN)		Weight Kg
	d	D	B	C	dk	r <sub>1s</sub>	r <sub>2s</sub>	C		Co		
GE6E		6	14	6	4	10	0.3	0.3	13	3.4	17.0	0.004
GE8E		8	16	8	5	13	0.3	0.3	15	5.50	27.5	0.007
GE10E		10	19	9	6	16	0.3	0.3	12	8.15	40.5	0.011
GE12E		12	22	10	7	18	0.3	0.3	11	10.8	54.0	0.016
GE15ES		15	26	12	9	22	0.3	0.3	8	17.0	85.0	0.025
GE17ES		17	30	14	10	25	0.3	0.3	10	21.2	106	0.041
GE20ES	GE20ES-2RS	20	35	16	12	29	0.6	0.3	9	30.0	146	0.061
GE25ES	GE25ES-2RS	25	42	20	16	35.5	0.0	0.6	7	48.0	240	0.110
GE30ES	GE30ES-2RS	30	47	22	18	40.7	0.6	0.6	6	62.0	310	0.140
GE35ES	GE35ES-2RS	35	55	25	20	47	0.6	1.0	6	80.0	400	0.220
GE40ES	GE40ES-2RS	40	62	28	22	53	0.6	1.0	7	100	500	0.300
GE45ES	GE45ES-2RS	45	68	32	25	60	0.6	1.0	7	127	640	0.400
GE50ES	GE50ES-2RS	50	75	35	28	66	0.6	1.0	6	156	780	0.540
GE60ES	GE60ES-2RS	60	90	44	36	80	1.0	1.0	6	245	1220	1.000
GE70ES	GE70ES-2RS	70	105	49	40	92	1.0	1.0	6	315	1560	1.500
GE80ES	GE80ES-2RS	80	120	55	45	105	1.0	1.0	6	400	2000	2.200
GE90ES	GE90ES-2RS	90	130	60	50	115	1.0	1.0	5	490	2450	2.700
GE100ES	GE100ES-2RS	100	150	70	55	130	1.0	1.0	7	610	3050	4.300
GE110ES	GE110ES-2RS	110	160	70	55	140	1.0	1.0	6	655	3250	4.700
GE120ES	GE120ES-2RS	120	180	85	70	160	1.0	1.0	6	950	4750	8.000
GE140ES	GE140ES-2RS	140	210	90	70	180	1.0	1.0	7	1080	5400	11.00

**Notes:**

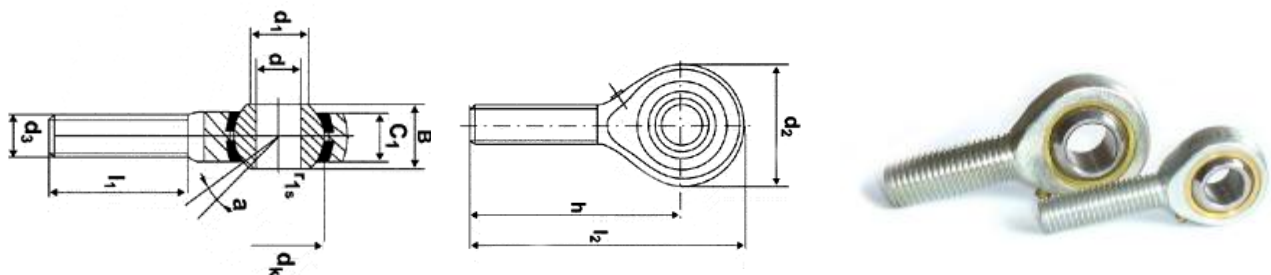
1. There is a single split in axial direction in the outer ring;
2. There are lubrication grooves and holes in the outer and inner rings for type ES;
3. With two seals on the outer ring for type 2RS;
4. Both outer and inner rings are properly phosphorlylate-treated.
5. GEG—ES, GE—UK, GE—FW series are available upon request.



# INLAID LINER ROD ENDS— PHS, POS Series



Part No.	Dimensions (mm)														Load Rating (KN)		Wt Kg
	d	d3	B	C1 max	N	l3 min	d2 max	l4 max	h1	l5 max	d4 max	d5 max	dk	d1	C	Co	
PHS6	6	M6	9	6.75	11	14	20	40	30	5	10	13	12.7	9	4.30	7.20	0.022
PHS8	8	M8	12	9	14	17	24	48	36	5	12.5	16	15.875	10.4	7.20	11.60	0.047
PHS10	10	M10	14	10.5	17	21	26	56	43	6.5	15	19	19.05	12.9	10.0	14.5	0.077
PHS12	12	M12	16	12	19	24	30	65	50	6.5	17.5	22	22.225	15.4	13.4	17.0	0.10
PHS14	14	M14	19	13.5	22	27	34	74	57	8	20	26	25.4	16.9	17.0	24.0	0.16
PHS16	16	M16	21	15	24	33	40	84	64	8	22	28	28.575	19.4	21.6	28.5	0.22
PHS18	18	M18X1.5	23	16.5	27	36	44	93	71	10	25	31	31.75	21.9	26.0	42.5	0.32
PHS20	20	M20X1.5	25	18	30	40	48	101	77	10	27.5	35	34.925	24.4	31.5	42.5	0.42
PHS22	22	M22X1.5	28	20	32	43	54	111	84	12	30	38	38.1	25.8	38.0	57.0	0.54
PHS25	25	M24X2	31	22	36	48	60	124	94	12	33.5	42	42.85	29.6	47.5	68.0	0.73
PHS28	28	M27X2	35	24	41	53	66	136	103	14	37	46	47.6	32.3	58.0	75.0	0.98



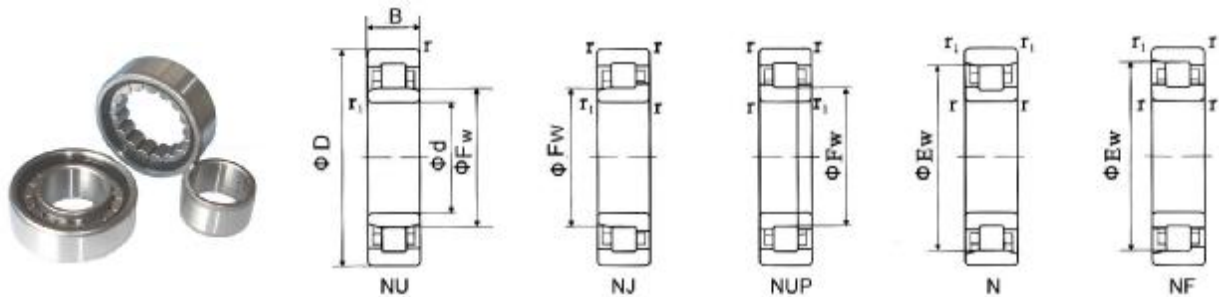
Part No.	Dimensions (mm)										Load Rating		Wt. Kg
	d	d3	B	C1 max	l1 min	d2 max	h	l2 max	dk	d1	C	Co	
POS6	6	M6	9	6.75	23	20	36	46	12.7	8.9	4.30	7.20	0.020
POS8	8	M8	12	9	25	24	42	54	15.875	10.3	7.20	11.6	0.030
POS10	10	M10	14	10.5	30	26	48	61	19.05	12.9	10.0	14.5	0.055
POS12	12	M12	16	12	34	30	54	69	22.225	15.4	13.4	17.0	0.085
POS14	14	M14	19	13.5	37	34	60	77	25.4	16.8	17.0	24.0	0.14
POS16	16	M16	21	15	41	40	66	86	28.575	19.3	21.6	28.5	0.21
POS18	18	M18X1.5	23	16.5	45	44	72	94	31.75	21.8	26.0	42.5	0.28
POS20	20	M20X1.5	25	18	48	48	78	102	34.925	24.3	31.5	52.5	0.38
POS22	22	M22X1.5	28	20	52	54	84	111	38.10	25.8	38.0	57.0	0.48
POS25	25	M24X2	31	22	58	60	94	124	42.85	29.5	47.5	68.0	0.64
POS28	28	M27X2	35	24	63	66	103	136	47.6	33.7	58.0	75.5	0.96

NOTE:1. PHSB, POSB inch series are available upon request.

2. Zinc-plated surface, with a lubrication hole or a grease nipple.

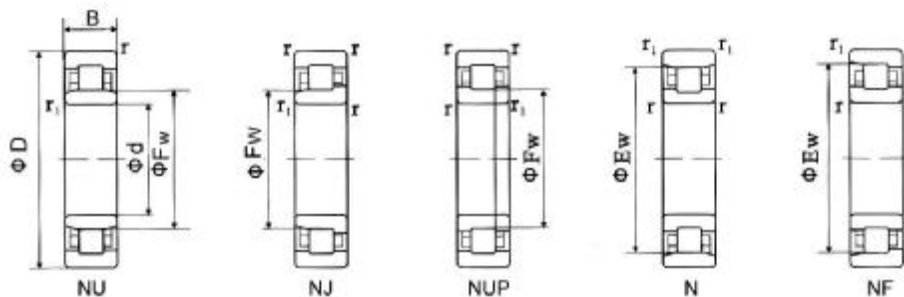


# CYLINDRICAL ROLLER BEARINGS



Boundary Dimensions (mm)							Bearing Numbers					Weight (Kg)
d	D	B	r	r <sub>1</sub>	F <sub>w</sub>	E <sub>w</sub>	NU	NJ	NUP	N	NF	
20	47	14	1	0.6	27	40	NU204	NJ204	NUP204	N204	NF204	0.108
	47	18	1	0.6	27	--	NU2204	NJ2204	NUP2204	--	--	0.146
	52	15	1.1	0.6	28.5	44.5	NU304	NJ304	NUP304	N304	NF304	0.147
	52	21	1.1	0.6	28.5	--	NU2304	NJ2304	NUP2304	--	--	0.212
25	47	12	0.6	0.3	30.5	--	NU1005	--	NUP1005	--	--	0.084
	52	15	1	0.6	32	45	NU205	NJ205	NUP205	N205	NF205	0.132
	52	18	1	0.6	32	--	NH2205	NJ2205	NUP2205	--	--	0.163
	62	17	1.1	1.1	35	53	NU305	NJ305	NUP305	N305	NF305	0.241
	62	24	1.1	1.1	35	--	NU2305	NJ2305	NUP2305	--	--	0.340
30	55	13	1.1	1.1	36.5	--	NU1006	--	NUP1006	--	--	0.121
	62	16	1	0.6	38.5	53.5	NU206	NJ206	NUP206	N206	NF206	0.200
	62	20	1	0.6	38.5	--	NU2206	NJ2206	NUP2206	--	--	0.262
	62	20	1	0.6	37.5	--	NU2206E	NJ2206E	NUP2206E	--	--	0.262
	62	23.8	1	1	38.5	--	NU3206	--	--	--	--	0.343
	72	19	1.1	1.1	42	62	NU306	NJ306	NUP306	N306	NF306	0.358
	72	19	1.1	1.1	40.5	--	NU306E	NJ306E	NUP306E	--	--	0.361
	72	27	1.1	1.1	42	--	NU2306	NJ2306	NUP2306	--	--	0.500
	72	30.2	1.1	1.1	42	--	NU3306	--	--	--	--	0.65
	90	23	1.5	1.5	45	73	NU406	NJ406	NUP406	N406	NF406	0.753
35	62	14	1	0.6	42	--	NU1007	--	NUP1007	--	--	0.182
	72	17	1.1	0.6	43.8	61.8	NU207	NJ207	NUP207	N207	NF207	0.293
	72	17	1.1	0.6	44	--	NU207E	NJ207E	NUP207E	--	--	0.306
	72	23	1.1	0.6	43.8	--	NU2207	NJ2207	NUP2207	--	--	0.402
	72	23	1.1	0.6	44	--	NU2207E	NJ2207E	NUP2207E	--	--	0.404
	72	27	1.1	1.1	43.8	--	NU3207	--	--	--	--	0.524
	80	21	1.5	1.1	46.2	68.2	NU307	NJ307	NUP307	N307	NF307	0.477
	80	21	1.5	1.1	46.2	--	NU307E	NJ307E	NUP307E	--	--	0.482
	80	31	1.5	1.1	46.2	--	NU2307	NJ2307	NUP2307	--	--	0.696
	80	31	1.5	1.1	46.2	--	NU2307E	NJ2307E	NUP2307E	--	--	0.729
	80	34.9	1.5	46.2	--	NU3307	--	--	--	--	--	0.908
	100	25	1.5	1.5	53	83	NU407	NJ407	NUP407	N407	NF407	1.02

# CYLINDRICAL ROLLER BEARINGS



Boundary Dimensions (mm)							Bearing Numbers					Weight (Kg)
d	D	B	r	r1	F <sub>w</sub>	E <sub>w</sub>	NU	NJ	NUP	N	NF	
40	68	15	1	0.6	47	--	NU1008	--	NUP1008	--	--	0.223
	80	18	1.1	1.1	50	70	NU208	NJ208	NUP208	N208	NF208	0.366
	80	18	1.1	1.1	49.5	--	NU208E	NJ208E	NUP208E	--	--	0.384
	80	23	1.1	1.1	50	--	NU2208	NJ2208	NUP2208	--	--	0.490
	80	23	1.1	1.1	49.5	--	NU3208E	NJ3208E	NUP3208E	--	--	0.490
	80	30.2	1.1	1.1	50	--	NU3208	--	--	--	--	0.711
	90	23	1.5	1.5	53.5	77.5	NU308	NJ308	NUP308	N308	NF308	0.657
	90	23	1.5	1.5	52	--	NU308E	NJ308E	NUP308E	--	--	0.664
	90	33	1.5	1.5	53.5	--	NU2308	NJ2308	NUP2308	--	--	0.956
	90	36.5	1.5	1.5	53.5	--	NU3308	--	--	--	--	1.19
45	110	27	2	2	58	92	NU408	NJ408	NUP408	N408	NF408	1.30
	75	16	1	0.6	52.5	--	NU1009	--	NUP1009	--	--	0.289
	85	19	1.1	1.1	55	75	NU209	NJ209	NUP209	N209	NF209	0.427
	85	23	1.1	1.1	55	--	NU2209	NJ2209	NUP2209	--	--	0.536
	85	30.2	1.1	1.1	55	--	NU3209	--	--	--	--	0.770
	100	25	1.5	1.5	58.5	86.5	NU309	NJ309	NUP309	N309	NF309	0.870
50	100	36	1.5	1.5	58.5	--	NU2309	NJ2309	NUP2309	--	--	1.25
	100	39.7	1.5	1.5	58.5	--	NU3309	--	--	--	--	1.59
	80	26	1	0.6	57.5	--	NU1010	--	NUP1010	--	--	0.306
	90	20	1.1	1.1	60.4	80.4	NU210	NJ210	NUP210	N210	NF210	0.479
	90	23	1.1	1.1	60.4	--	NU2210	NJ2210	NUP2210	--	--	0.580
	110	27	2	2	65	95	NU310	NJ310	NUP310	N310	NF310	1.150
55	110	40	2	2	65	--	NU2310	NJ2310	NUP2310	--	--	1.690
	110	44.4	2	2	65	--	NU3310	--	--	--	--	2.14
	90	18	1.1	1	64.5	--	NU1011	--	NUP1011	--	--	0.445
60	100	21	1.5	1.1	66.5	88.5	NU211	NJ211	NUP211	N211	NF211	0.640
	100	25	1.5	1.1	66.5	--	NU2211	NJ2211	NUP2211	--	--	0.780
	95	18	1.1	1	69.5	--	NU1012	--	NUP1012	--	11	0.477
	110	22	1.5	1.5	73.5	97.5	NU212	NJ212	NUP212	N212	NF212	0.823
60	110	28	1.5	1.5	73.5	--	NU2212	NJ2212	NUP2212	--	--	1.07
	110	36.5	1.5	1.5	73.5	--	NU3212	--	--	--	--	1.52